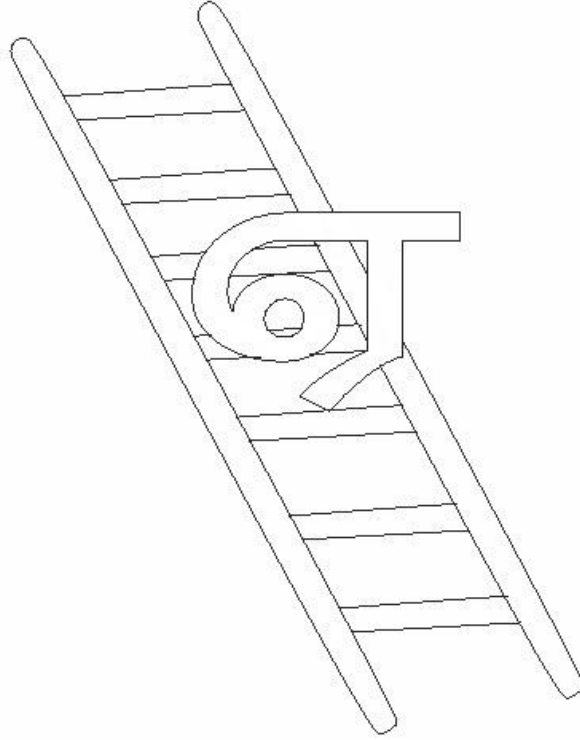


ஏ - ஏணி

Yea - Yeani
(Ladder)



Color the letter “ஏ” in blue
(Color the picture behind with your favorite colors)

Get more printables, worksheets, coloring pages, activities and student projects:
www.StudyVillage.com